

# Model T FOR 6" (152 MM) THROUGH 30" (762 MM) PIPELINES



Reduce damage and maintenance to filters, pumps, refiners and other processing machinery handling paper,

chemical slurries and other liquid materials. Rugged welded pipe and reinforced plate and tube construction withstands working pressures up to 75 psi (5.3 kg/sq cm). Pressure drop through unit is no more than that of a 90° elbow.

Guide lugs on element fit guide bars in body for alignment and prevent rotation. Bolted cover has a lifting slot and the magnetic element has lifting hook to facilitate fast removal for cleaning.

Bottom of the body provides sump

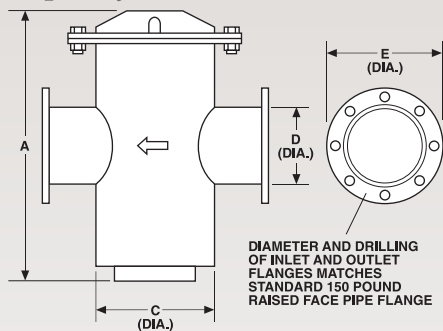
for trapping heavy nonmagnetic tramp metal, stones, etc. A bottom plug allows draining of sump.

Magnetic element provided with nonmagnetic area at bottom for easy cleaning. Shut-downs can be avoided by providing bypass to divert flow during cleaning. Frequent cleaning maintains separation efficiency. Model T Traps are primarily for upright installation in horizontal lines, however, they may also be mounted sideways, or in inclined or vertical lines.

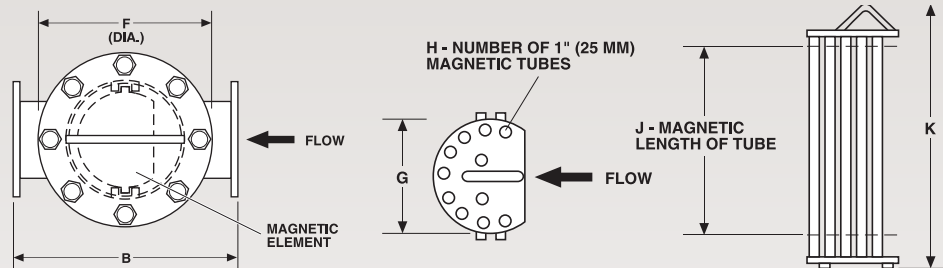
## Specifications

The standard units are constructed of mild steel with stainless reinforced magnetic tubes. Internal surfaces can be epoxy resin coated for corrosion resistance. All stainless steel units are also available.

### Trap Body



### Magnetic Element



### Model T: Dimensions

Trap Size	6 (152mm)		8 (203mm)		10 (254mm)		12 (305mm)		14 (356mm)		16 (406mm)		18 (457mm)		24 (610mm)		30 (762mm)	
	in	mm	in	mm	in	mm	in	mm	in	mm	in	mm	in	mm	in	mm	in	mm
A	21-3/4	552	29-1/2	749	37	940	37	940	42-1/2	1080	46-1/4	1175	50	1270	55	1396	58	1473
B	23	584	26	660	30	762	34	864	36	914	40	1016	40	1016	60	1524	68	1727
C	10-3/4	273	12-3/4	311	16	406	18	457	20	508	24	610	24	610	30	762	36	914
D	6	152	8	203	10	254	12	305	14	356	16	406	18	457	24	610	30	762
E	11	279	13-1/2	343	16	406	19	483	21	533	23-1/2	597	25	635	32	813	38-3/4	984
F	16	406	19	483	23-1/2	597	25	635	27-1/2	699	32	813	32	813	38-3/4	984	46	1168
G	8	203	10-1/2	267	13	330	15	381	17	432	20-1/2	521	20-1/2	521	25	635	33-1/8	841
H	6		9		11		13		15		17		17		19		33	
J	11-1/2	292	15-1/4	387	22-3/4	578	22-3/4	578	26-1/2	673	26-1/2	673	30-1/4	768	36	914	40	1016
K	16-1/2	419	22-3/4	578	30-1/4	768	30-1/4	768	34	864	35	889	38-3/4	984	45	1143	49	1245

### Model-T: Weights

Trap Size	6 (152mm)		8 (203mm)		10 (254mm)		12 (305mm)		14 (356mm)		16 (406mm)		18 (457mm)		24 (610mm)		30 (762mm)	
	lb	kg	lb	kg	lb	kg	lb	kg	lb	kg	lb	kg	lb	kg	lb	kg	lb	kg
Trap Body	170	77	203	92	345	156	390	177	580	260	812	368	860	390	1900	862	3030	1374
Magnetic Element	40	18	61	28	96	44	130	59	155	70	178	81	190	86	305	139	545	238